



**UPStation® GXT™ 6, 8, 10kVA**

**UNINTERRUPTIBLE POWER SUPPLY**



**NEW! 3x1 and 1x1  
versions available**

# UPStation® GXT™

6, 8, 10 kVA UPS



Reliance on sensitive electronic equipment is at an all time high, as is the cost of downtime. When your critical system demand reliable power protection, the UPStation GXT delivers the power back-up and conditioning you need. The UPStation GXT units offer true on-line power protection, the best available technology for protecting mission critical systems.

The GXT features easy to operate controls, user-installable slide-in communication options and battery upgrades. But simplicity is only the start...on-line design means superior power quality even under the worst conditions such as sags, surges and even frequency deviations.

## True On-Line Power For Your Mission Critical Systems

### Benefits

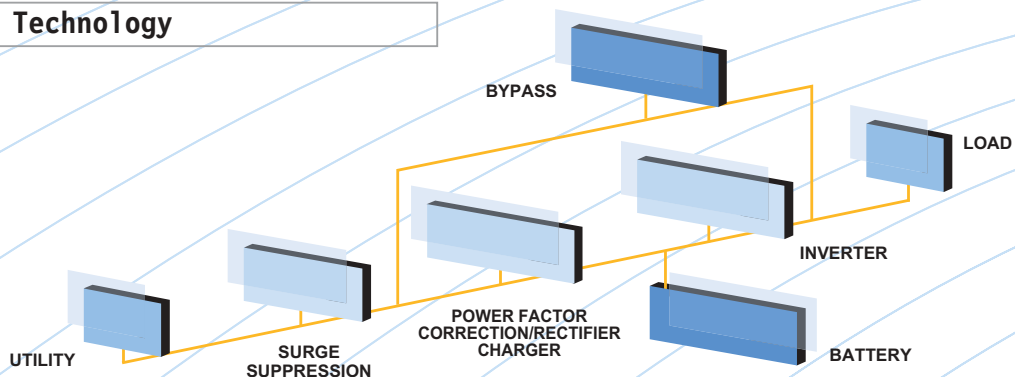
- Now available in 3 or single phase input, and single phase output version
- True on-line design
- Protection against all power threats
- Internal SNMP communications and other monitoring options
- Extended battery options
- Two-year warranty as standard

### Applications

*UPStation GXT is suitable for:*

- Clusters of servers, workstations, peripherals and Internet devices
- RAID arrays, parallel process servers and other large-scale data handling systems
- LAN gateways, bridges, routers, ATM, ISDN & frame relay applications
- Super-servers, mini-computers and multiprocessing systems

### The On-Line Technology



## The Importance Of The Right UPS

It is more important than ever to find a UPS solution that is equipped to handle virtually any power problem. It means finding a system that is compatible with the equipment it is protecting and selecting a UPS that can manage a wide range of power inputs that can supply clean, precise power for your vital systems.

UPStation GXT 6 & 10 provides:

- **On-Line protection for critical equipment.**

UPStation GXT is designed to address the power problems that commonly threaten networks and other critical equipment. Surges, sags, outages, generator operation, and other power anomalies are dealt with easily by UPStation GXT.

- **Flexible battery back-up.**

Liebert's rapid recharge system helps override multiple outages with its quick recovery. Additional battery capacity can extend your blackout override period.

- **Communications port.**

Allows direct connection to a server for automated shutdown. For hardware connection to even more servers, the SiteNet Multiport 8 can be used.

- **DB-9 port.**

Through the use of Liebert SiteNet Multilink software it allows to notify individual computers, server and workstations of the functional status of the UPS and the batteries, turn off UPS output, handle operating system shutdowns.

- **Intellislot™ SNMPWeb Card.**

SNMPWeb Card allows continuous monitoring and control of the UPS status through the net using a standard Internet browser.

### Battery Operation

The UPStation GXT features unsurpassed battery flexibility. It can be configured according to your site needs and type of application. The standard UPStation GXT provides five to ten minutes of back-up power at full load. That's longer than 98% of all power outages and enough time to shut down critical operations in an orderly fashion.

- **Zero Transfer Time.**

When utility power fails, your critical load remains supported by a seamless flow of power from the UPStation GXT. True on-line design means zero transfer time from external to internal power.

- **Maintenance-free batteries.**

The UPStation GXT uses sealed, valve-regulated, lead-acid batteries, to provide long, trouble-free service life.

- **Add-on battery cabinets.**

Additional battery cabinets can be added to provide additional runtime as your needs change.

### Integrated Monitoring And Control

The front panel of the UPS provides system status, load levels, battery time remaining and any alarm conditions.

It also shows an indication and diagnosis of UPS fault conditions.



## General Features

1 x 1

Model	GXT6000T-230	GXT6000T-230X	GXT10000T-230	GXT10000T-230X
VA/Watts (max.)	6000/4200		10000/7000	
Input Voltage Range	230 VAC nominal*	230 VAC nominal*	230 VAC nominal*	230 VAC nominal*
100%-90% Loading	184-187 VAC to 273-276 VAC		184 -187 VAC to 273 -276 VAC	
90%-30% Loading	140-163 VAC to 273-276 VAC		140 -163 VAC to 273 -276 VAC	
30%-0% Loading	120-122 VAC to 273-276 VA		120 -122 VAC to 273-276 VAC	
Input Connector	Terminal Block (hardwired)		Terminal Block (hardwired)	
Output Voltage Range	230 VAC; ±3%	230 VAC; ±7%	230 VAC; ±3%	234 VAC; ±7%
Output Waveform	Sinewave		Sinewave	
Output Connector	Terminal Block (hardwired)		Terminal Block (hardwired)	
Typical Autonomy Time (FL/HL) min	7 /18		10 /25	
Dimensions (WxDxH) [mm]	260x558x800		340x640x965	
Weight [kg]	103	121	178	235

Note: Models with an "x" suffix contain isolation transformers. \*Variable based on output load.

3 x 1

Model	GXT3x1-6000	GXT3x1-8000	GXT3x1-10000
VA/Watts (max.)	6000/4200	8000/5600	10000/7000
Input Voltage Range	230 VAC (L-N) / 400 VAC (L-L)		
100%-90% Loading (**)	186-198 VAC to 266-276 VAC (L-N) / 322-342 VAC to 460-478 VAC (L-L)		
90%-0% Loading (**)	159-171 VAC to 266-276 VAC (L-N) / 275-296 VAC to 460-478 VAC (L-L)		
Input Connector	Terminal Block (hardwired)		
Output Voltage Range	230 VAC; ±3%		
Output Waveform	Sinewave		
Output Connector	Terminal Block (hardwired)		
Typical Autonomy Time (FL) min	7	13	10
Dimensions (WxDxH) [mm]	340x650x960		
Weight [kg]	172	224	224

(\*\*) All quoted voltages have tolerance of ± 5 L-N (8.7 L-L)  
 UPStation GXT are CE marked according to EMC requirements.

battery cabinets

Model	GXT240VBATT	GXT240VBATT	GXT240VLRT
External Battery Cabinet	6kVA	8-10kVA	8-10kVA
Dimensions (WxLxH) [mm]	260x612x703	260x612x703	400x850x965
Typical Autonomy Time [min]	40	30	60
Weights (with batteries) [kg]	125	125	365

While every precaution has been taken to ensure accuracy and completeness in this brochure, Liebert Corporation assumes no responsibility, and disclaims all liability for damages resulting from use of this information or for any errors or omissions. © 2002 Liebert Corporation. All rights reserved throughout the world. Specifications subject to change without notice. All names referred to are trademarks or registered trademarks of their respective owners.



**Liebert HIROSS UPS Headquarters**  
 Via Gioacchino Rossini,6  
 20098 - S.Giuliano Milanese (MI)  
 tel.+39 02 982501 fax +39 02 98250273  
 info.ups@liebert-hiross.com

**Liebert HIROSS Services Headquarters**  
 Via Leonardo da Vinci,8  
 35028 - Piove di Sacco (PD)  
 tel.+39.049 9719111 fax +39 049 5841257  
 service@liebert-hiross.com

**Liebert HIROSS United Kingdom**  
 Globe Park - Marlow - Bucks - SL71YG  
 tel.+44 (0)1628 403 200 fax +44 (0)1628 403 203